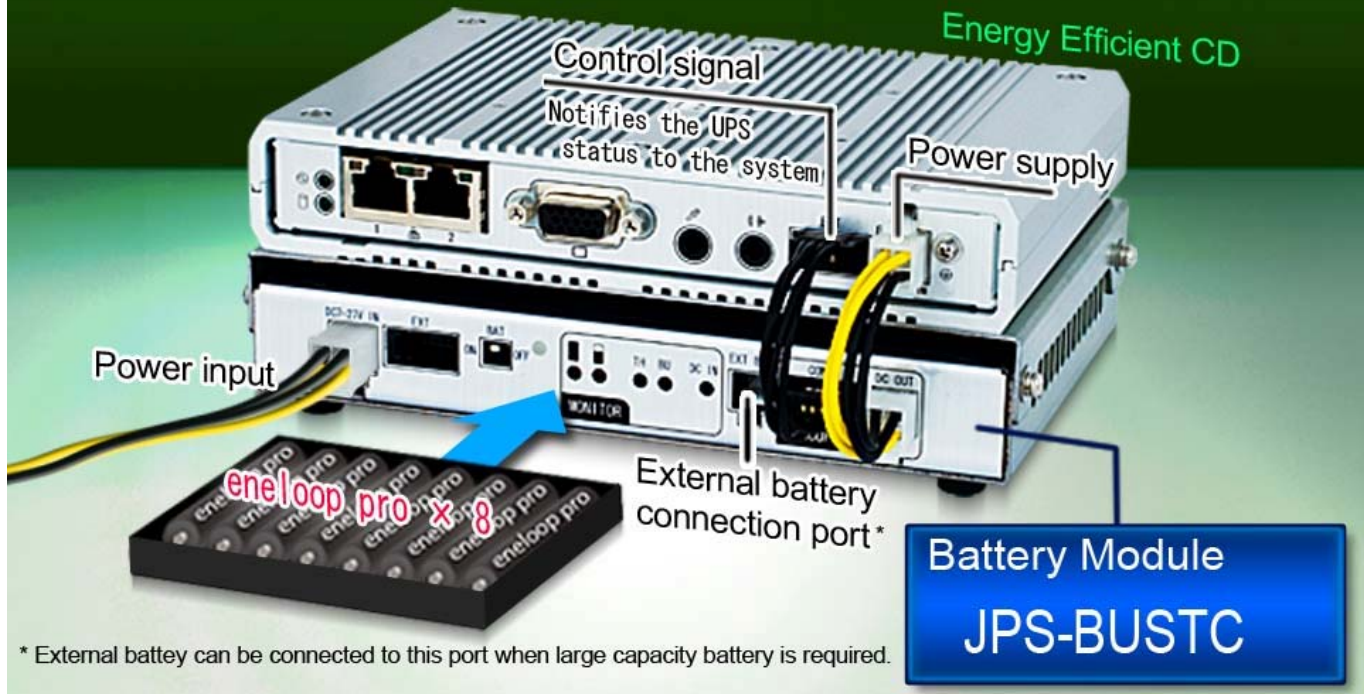


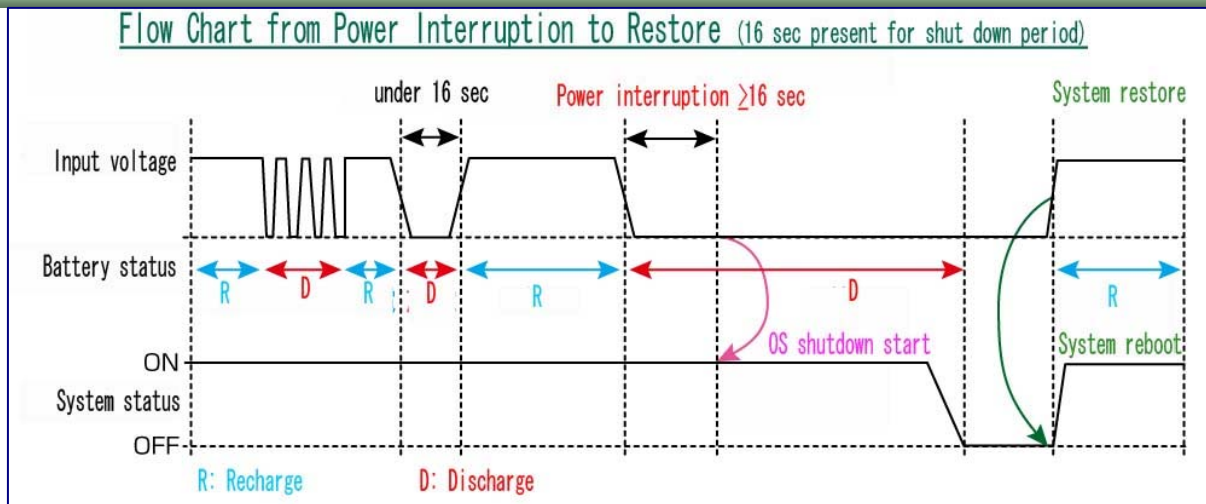
Battery Module for Energy Efficient Classembly Devices



* External battery can be connected to this port when large capacity battery is required.

With the optional battery module (part no. JPS-BUSTC), the system will shut down automatically when a sudden power failure occurs. The automatic shutdown process protects the system. The system can be programmed to reboot automatically after the power is restored. Perfect for unattended embedded systems.

Automatic Reboot at an Instantaneous Power Interruption



The length of time from the interruption of the power to system shutdown can be programmed (1 to 255 sec.). The system will shut down automatically at the present time and reboot automatically when the power is restored.